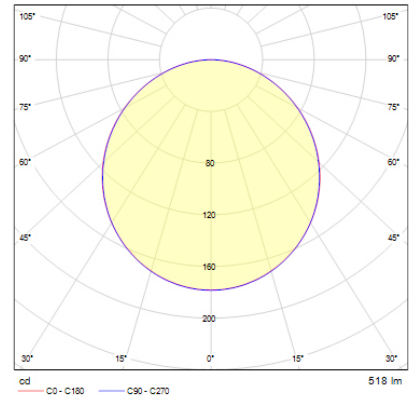
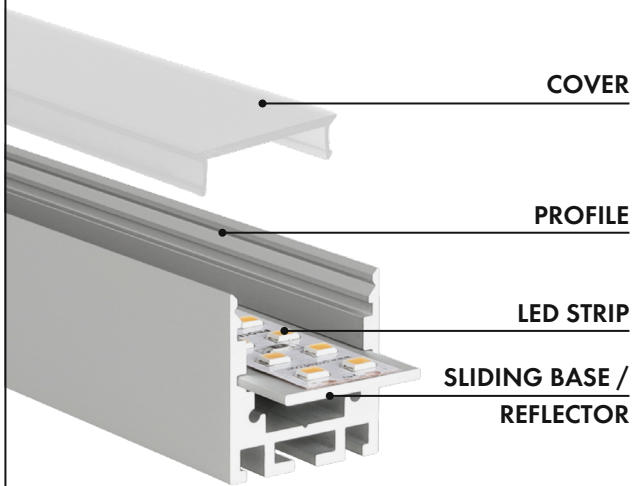


PROLED[®]

FLEX STRIP + PROFILE + COVER PHOTOMETRIC CONFIGURATOR

Create the exact photometric data of any combination of PROLED Flex Strip, Aluminum Profile and Plastic Cover.

Use our unique Photometric Configurator to assemble your lighting system based on flexible LED strips + profiles + covers and obtain the exact photometric data of the combined products in just a few and easy steps.



1.0

Get our free DIALux Plug-in (online or offline) from <https://www.proled.com/en/support-download/dialux-plugin/>

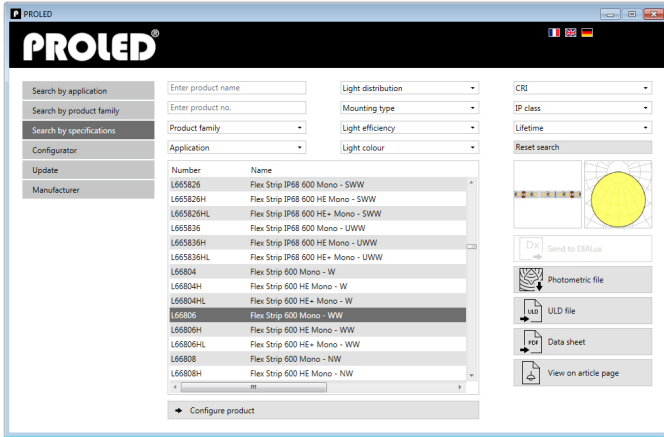
The screenshot shows the PROLED website's "PROLED Plug-in for DIALux download" page. The page includes a navigation menu with "PRODUCTS", "COMPANY", "SERVICE", "NEWS & EXHIBITIONS", and "SUPPORT & DOWNLOAD". The main content area features a download table with the following items:

File Name	Size
PROLED Offline Plug-in for DIALux Version 2.0.0.2	324.3 MB
PROLED Video Manual – Plug-in for DIALux	26.7 MB
PROLED Manual – Plug-in for DIALux	985.7 KB

Below the table, there is a description of DIALux and a link to the online-web version: www.dialux-plugins.com/proled. The footer contains copyright information: © MBN GmbH - PROLED Member of PROLED GROUP, and links for "PRIVACY POLICY", "IMPRINT", and "CONTACT".

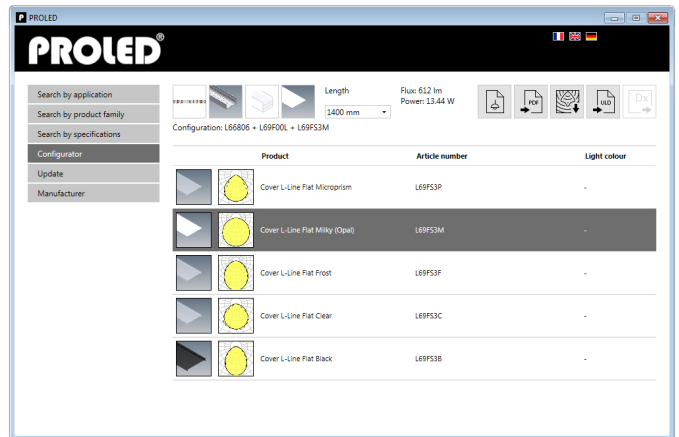
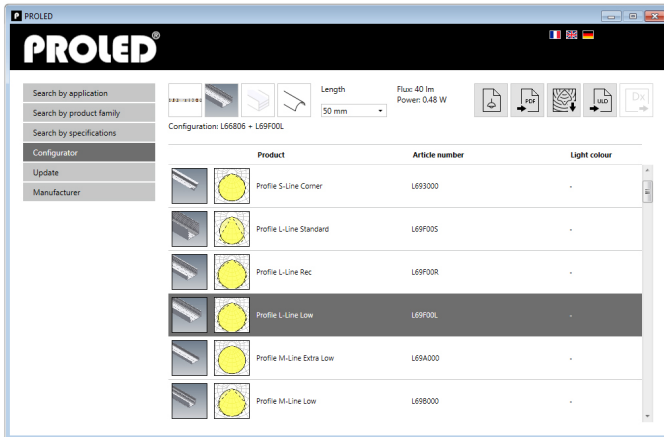
2.0

Search your preferred PROLED Flex Strip via one of the search tools. You can find it by the article number, the article name or the article family.



3.0

Our Configurator will filter the profiles, sliding bases (optional) and covers suitable for your strip to select.



4.0

Done! Now simply choose between exporting the photometric file, the data sheet, the ULD or sending it directly to your DIALux !

